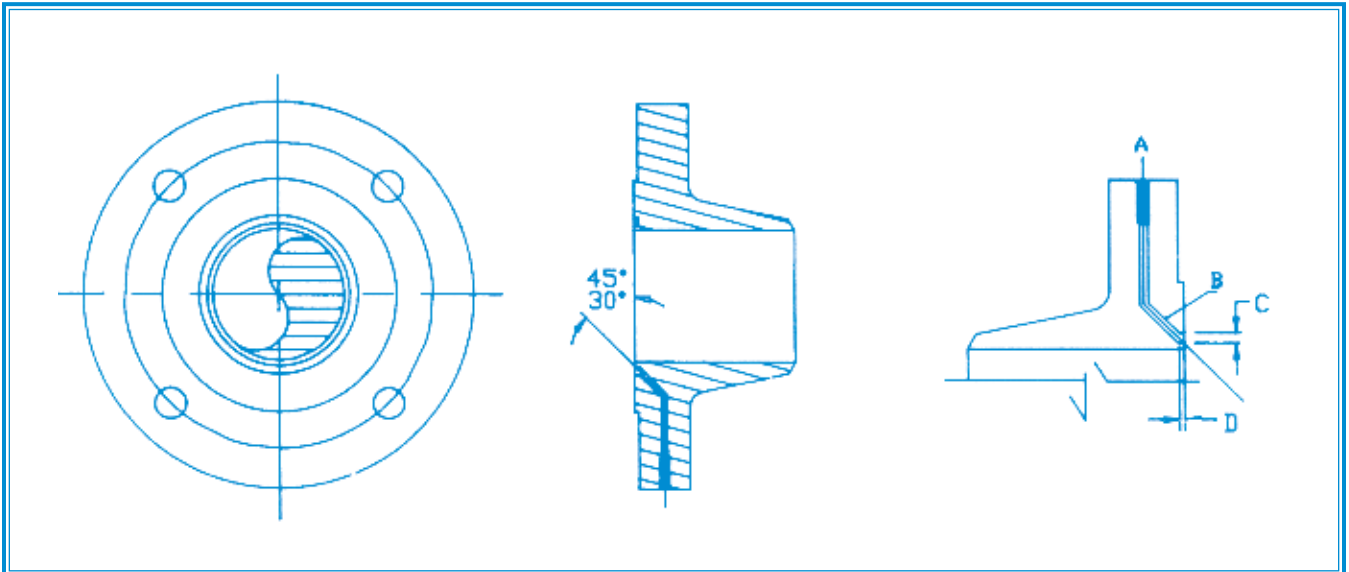




**PRODUCT SPECIFICATIONS**

**Corner Tapped Orifice Flanges**

Dimensions Are In Inches - Weights Are In Pounds



PIPE SIZE	PIZO GROOVE		NPT TAP	TAP HOLE
	C	D	A	B
1 to 2	1/8 Wide x 5/8 Deep		1/8	3/32
2 1/2 to 3	1/8 Wide x 5/8 Deep		1/4	1/8
4 to 8	3/16 Wide x 1/16 Deep		1/4	3/16
10 to 16	1/4 Wide x 1/16 Deep		1/4	1/4
18 and Up	1/4 Wide x 1/16 Deep		1/2	1/4