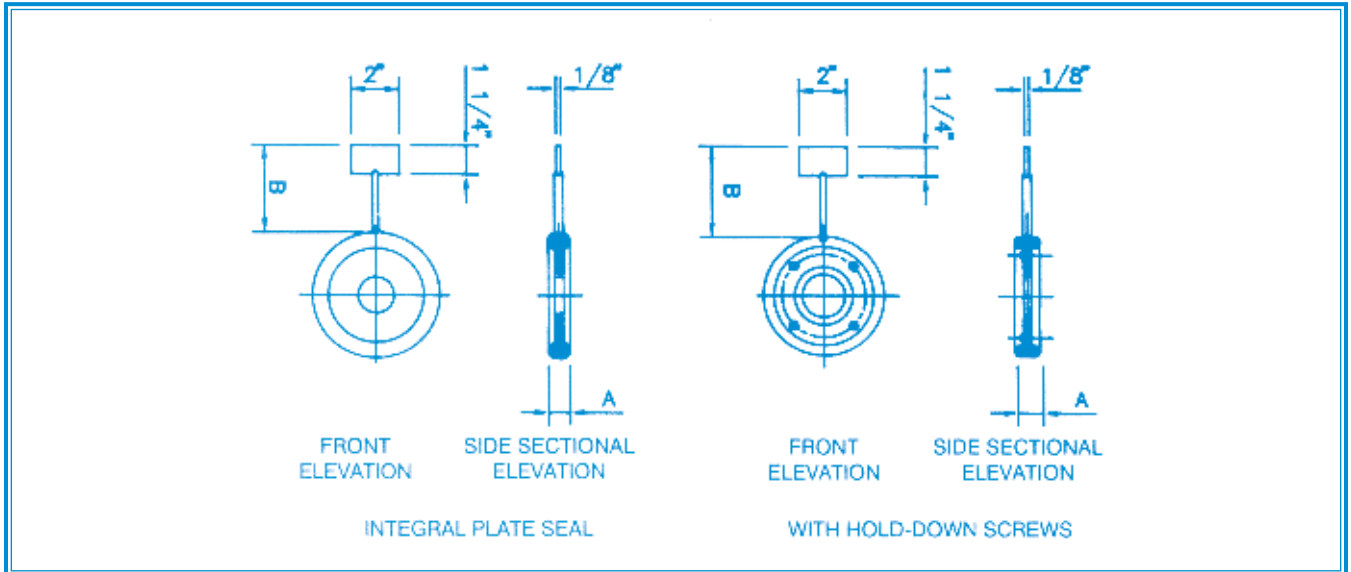




**Ring-Joint Orifice Plate Holders**

Dimensions Are In Inches - Weights Are In Pounds



LINE SIZE	300-600 Lbs. ANSI				900 Lbs. ANSI			
	A.P.I. RING NO.	A	B	APPROX. GAP	A.P.I. RING NO.	A	B	APPROX. GAP
1/2	R-11	29/32	4 1/4	19/32	R-12	1	4 1/4	19/32
3/4	R-13	1	4 1/4	19/32	R-14	1	4 1/4	19/32
1	R-16	1	4 1/4	19/32	R-16	1	4 1/4	19/32
1 1/2	R-20	1	4 1/4	19/32	R-20	1	4 1/4	19/32
2	R-23	1 1/16	4 1/4	19/32	R-24	1 1/16	5 1/4	17/32
2 1/2	R-26	1 1/16	5 1/4	19/32	R-27	1 1/16	5 1/4	17/32
3	R-31	1 1/16	5 1/4	19/32	R-31	1 1/16	5 1/4	17/32
3 1/2	R-34	1 1/16	4 1/4	19/32	-	-	-	-
4	R-37	1 1/16	5 1/4	19/32	R-37	1 1/16	5 1/4	17/32
5	R-41	1 1/16	6 1/4	19/32	R-41	1 1/16	6 1/4	17/32
6	R-45	1 1/16	6 1/4	19/32	R-45	1 1/16	6 1/4	17/32
8	R-49	1 1/16	6 1/4	19/32	R-49	1 1/16	6 1/4	17/32
10	R-53	1 3/16	7 1/4	23/32	R-53	1 3/16	7 1/4	21/32
12	R-57	1 3/16	7 1/4	23/32	R-57	1 3/16	7 1/4	21/32
14	R-61	1 3/16	7 1/4	23/32	R-62	1 7/16	7 1/4	23/32
16	R-65	1 5/16	7 1/4	27/32	R-66	1 9/16	7 1/4	27/32
18	R-69	1 5/16	7 1/4	27/32	R-70	1 11/16	7 1/4	7/8
20	R-73	1 1/4	7 1/4	23/32	R-74	1 9/16	7 1/4	3/4
24	R-77	1 7/16	7 1/4	13/16	R-78	1 7/8	9 1/4	25/32