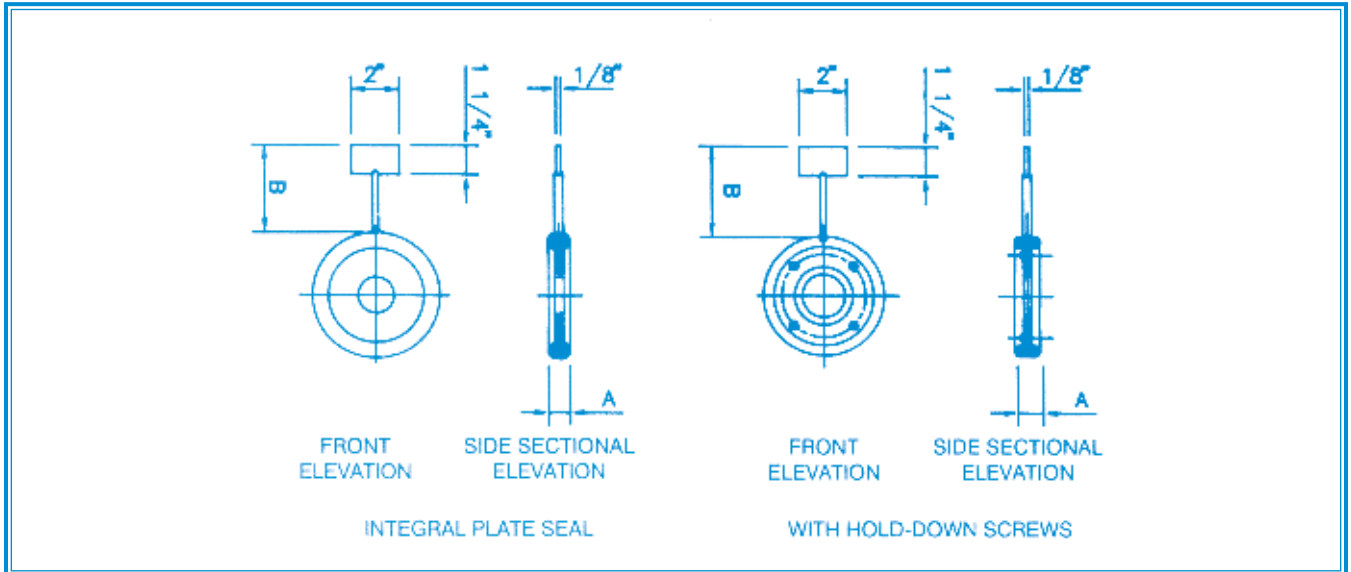




Ring-Joint Orifice Plate Holders

Dimensions Are In Inches - Weights Are In Pounds



LINE SIZE	1500 Lbs. ANSI				2500 Lbs. ANSI			
	A.P.I. RING NO.	A	B	APPROX. GAP	A.P.I. RING NO.	A	B	APPROX. GAP
1/2	R-12	1	4 1/4	19/32	R-13	1	4 1/4	19/32
3/4	R-14	1	4 1/4	19/32	R-16	1	4 1/4	19/32
1	R-16	1	4 1/4	19/32	R-18	1	4 1/4	19/32
1 1/2	R-20	1	4 1/4	19/32	R-23	1 1/16	5 1/4	1/2
2	R-24	1 1/16	5 1/4	1/2	R-26	1 1/16	5 1/4	1/2
2 1/2	R-27	1 1/16	5 1/4	1/2	R-28	1 3/16	5 1/4	9/16
3	R-35	1 1/16	5 1/4	1/2	R-32	1 3/16	6 1/4	9/16
3 1/2	-	-	-	-	-	-	-	-
4	R-39	1 1/16	5 1/4	1/2	R-38	1 5/16	6 1/4	19/32
5	R-44	1 1/16	6 1/4	1/2	R-42	1 7/16	7 1/4	19/32
6	R-46	1 3/16	6 1/4	9/16	R-47	1 7/16	7 1/4	19/32
8	R-50	1 5/16	6 1/4	19/32	R-51	1 9/16	8 1/4	5/8
10	R-54	1 7/16	7 1/4	23/32	R-55	2	8 1/4	13/16
12	R-58	1 11/16	8 1/4	3/4	R-60	2 1/8	9 1/4	7/8
14	R-63	1 7/8	8 1/4	25/32	-	-	-	-
16	R-67	2 1/8	9 1/4	1	-	-	-	-
18	R-71	2 1/8	9 1/4	1	-	-	-	-
20	R-75	2 1/8	10 1/4	7/8	-	-	-	-
24	R-79	2 5/16	11 1/4	1	-	-	-	-