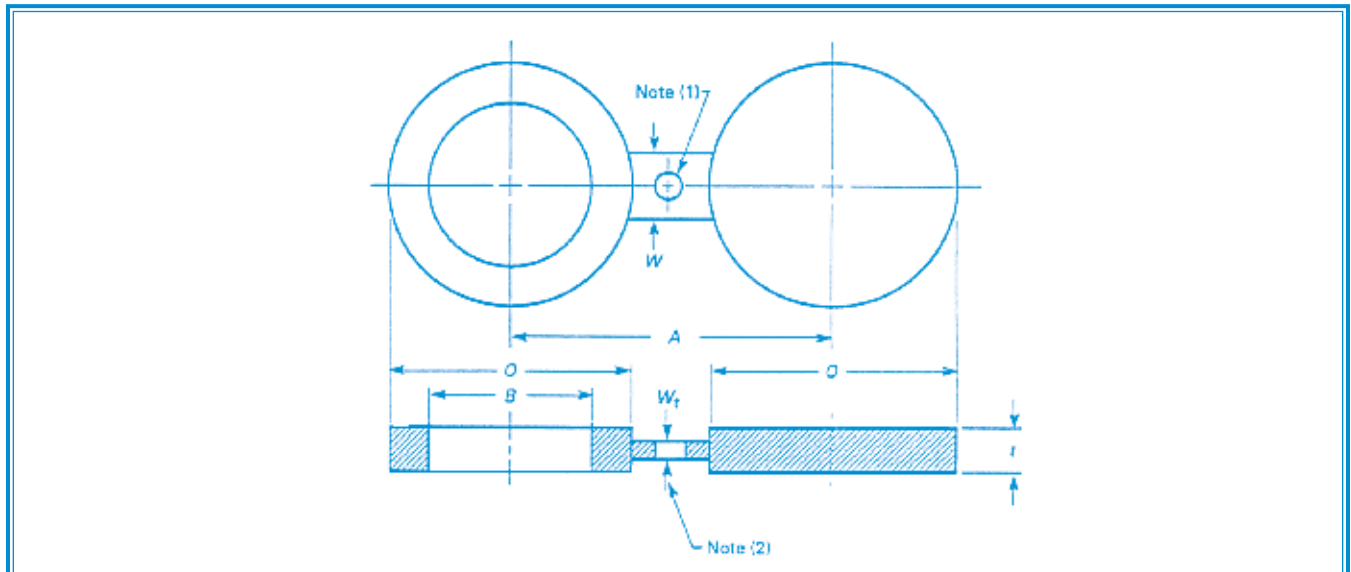




## PRODUCT SPECIFICATIONS

### Spectacle (Figure 8) Blinds

Dimensions Are In Inches - Weights Are In Pounds



#### CLASS 300

NPS	Inside Diameter $B$ , In.	Outside Diameter $O$ , In.	Centerline Dimension $A$ , In.	Thickness $t$ , In.	Web Width $W$ , In.
1/2	0.62	2.00	2.62	0.25	1.50
3/4	0.62	2.50	3.25	0.25	1.50
1	1.05	2.75	3.50	0.25	1.50
1 1/4	1.66	3.12	3.88	0.25	1.50
1 1/2	1.90	3.62	4.50	0.25	2.00
2	2.38	4.25	5.00	0.38	2.00
2 1/2	2.88	5.00	5.88	0.38	2.50
3	3.50	5.75	6.62	0.38	2.50
3 1/2	4.00	6.38	7.25	0.50	2.50
4	4.50	7.00	7.88	0.50	2.50
5	5.56	8.38	9.25	0.62	3.00
6	6.62	9.75	10.62	0.62	3.00
8	8.62	12.00	13.00	0.88	3.50
10	10.75	14.12	15.25	1.00	4.00
12	12.75	16.50	17.75	1.12	4.00
14	14.00	19.00	20.25	1.25	4.75
16	16.00	21.12	22.50	1.50	4.88
18	18.00	23.38	24.75	1.62	4.50
20	20.00	25.62	27.00	1.75	4.75
24	24.00	30.38	32.00	2.00	5.50

#### NOTES:

- (1) Hole size (where required due to bolt spacing) shall be the same as the flange bolt hole, and located such that it will not interfere with bolting between two flanges.
- (2) The thickness of the tie bar dimension  $W_t$  shall be 0.25 in. minimum, except when  $t$  is less than 0.25 in.,  $W_t$  shall equal  $t$ .