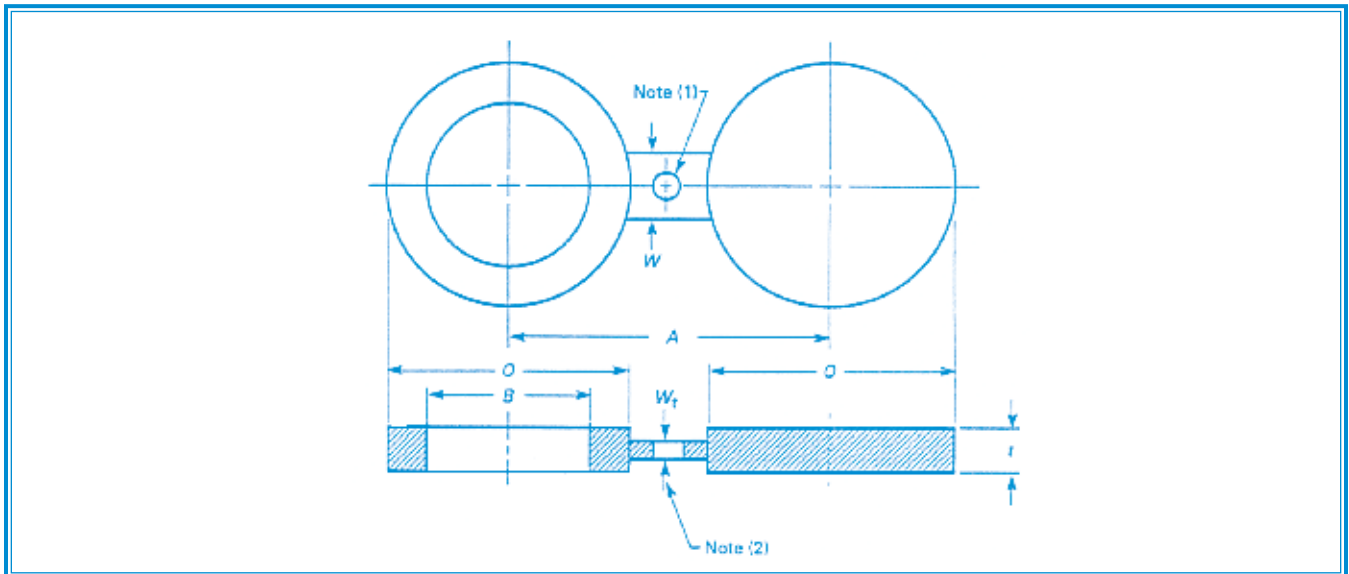




PRODUCT SPECIFICATIONS

Spectacle (Figure 8) Blinds

Dimensions Are In Inches - Weights Are In Pounds



CLASS 600

NPS	Inside Diameter B , in.	Outside Diameter O , in.	Centerline Dimension A , in.	Thickness t , in.	Web Width W , in.
1/2	0.62	2.00	2.62	0.25	1.50
3/4	0.82	2.50	3.25	0.25	1.50
1	1.05	2.75	3.50	0.25	2.25
1 1/4	1.44	3.12	3.88	0.38	2.25
1 1/2	1.68	3.62	4.50	0.38	2.62
2	2.16	4.25	5.00	0.38	2.25
2 1/2	2.64	5.00	5.88	0.50	2.62
3	3.26	5.75	6.62	0.50	2.62
3 1/2	3.76	6.25	7.25	0.62	3.00
4	4.26	7.50	8.50	0.62	3.00
5	5.30	9.38	10.50	0.75	3.38
6	6.36	10.38	11.50	0.88	3.38
8	8.33	12.50	13.75	1.12	3.75
10	10.42	15.62	17.00	1.38	4.12
12	12.39	17.88	19.25	1.62	4.12
14	13.62	19.25	20.75	1.75	4.50
16	15.62	22.12	23.75	2.00	4.88
18	17.62	24.00	25.75	2.12	5.25
20	19.56	26.75	28.50	2.50	5.25
24	23.50	31.00	33.00	2.88	6.00

NOTES:

- (1) Hole size (where required due to bolt spacing) shall be the same as the flange bolt hole, and located such that it will not interfere with bolting between two flanges.
- (2) The thickness of the tie bar dimension W_t shall be 0.25 in. minimum, except when t is less than 0.25 in., W_t shall equal t .