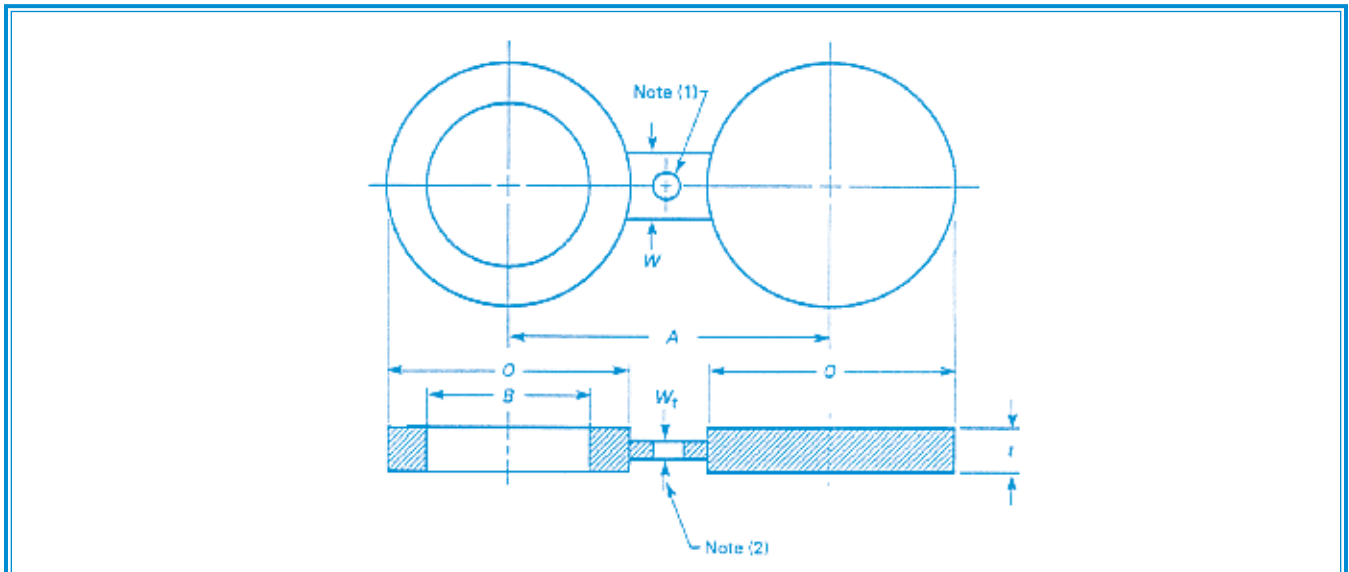




PRODUCT SPECIFICATIONS

Spectacle (Figure 8) Blinds

Dimensions Are In Inches - Weights Are In Pounds



CLASS 1500

NPS	Inside Diameter B , In.	Outside Diameter O , In.	Centerline Dimension A , In.	Thickness t , In.	Web Width W , In.
1/2	0.62	2.38	3.25	0.25	1.50
3/4	0.82	2.62	3.50	0.38	1.62
1	1.05	3.00	4.00	0.38	2.50
1 1/4	1.38	3.38	4.38	0.38	2.50
1 1/2	1.61	3.75	4.88	0.50	2.75
2	2.07	5.50	6.50	0.50	2.75
2 1/2	2.47	6.38	7.50	0.62	3.00
3	3.07	6.75	8.00	0.75	3.00
4	4.03	8.12	9.50	0.88	3.50
5	5.05	9.88	11.50	1.12	3.50
6	6.06	11.00	12.50	1.38	3.50
8	7.98	13.75	15.50	1.62	4.00
10	10.02	17.00	19.00	2.00	4.50
12	11.94	20.38	22.50	2.38	4.50
14	13.12	22.62	25.00	2.62	5.00
16	15.00	25.12	27.75	3.00	5.25
18	16.88	27.62	30.50	3.38	5.75
20	18.81	29.62	32.75	3.75	6.00
24	22.62	35.38	39.00	4.38	7.00

NOTES:

- (1) Hole size (where required due to bolt spacing) shall be the same as the flange bolt hole, and located such that it will not interfere with bolting between two flanges.
- (2) The thickness of the tie bar dimension W_t shall be 0.25 in. minimum, except when t is less than 0.25 in., W_t shall equal t .