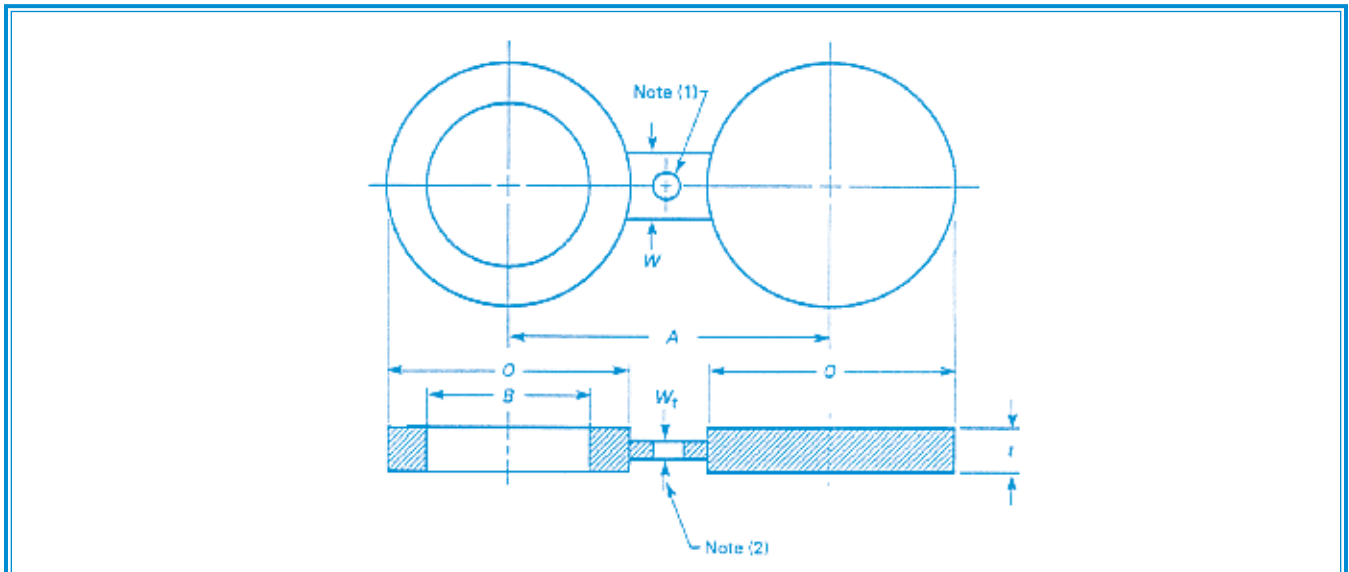




## PRODUCT SPECIFICATIONS

### Spectacle (Figure 8) Blinds

Dimensions Are In Inches - Weights Are In Pounds



#### CLASS 1500

NPS	Inside Diameter $B$ , In.	Outside Diameter $O$ , In.	Centerline Dimension $A$ , In.	Thickness $t$ , In.	Web Width $W$ , In.
1/2	0.62	2.62	3.50	0.38	1.50
3/4	0.82	2.88	3.75	0.38	1.62
1	1.05	3.25	4.25	0.38	2.50
1 1/4	1.38	4.00	5.12	0.50	2.50
1 1/2	1.61	4.50	5.75	0.62	2.75
2	2.07	5.62	6.75	0.62	2.75
2 1/2	2.47	6.50	7.75	0.75	3.00
3	3.07	7.62	9.00	0.88	3.00
4	4.03	9.12	10.75	1.12	3.50
5	5.05	10.88	12.75	1.38	3.50
6	6.06	12.38	14.50	1.62	3.50
8	7.81	15.12	17.25	2.12	4.00
10	9.75	18.62	21.25	2.62	4.50
12	11.37	21.50	24.38	3.12	4.50

#### NOTES:

- (1) Hole size (where required due to bolt spacing) shall be the same as the flange bolt hole, and located such that it will not interfere with bolting between two flanges.
- (2) The thickness of the tie bar dimension  $W_t$  shall be 0.25 in. minimum, except when  $t$  is less than 0.25 in.,  $W_t$  shall equal  $t$ .