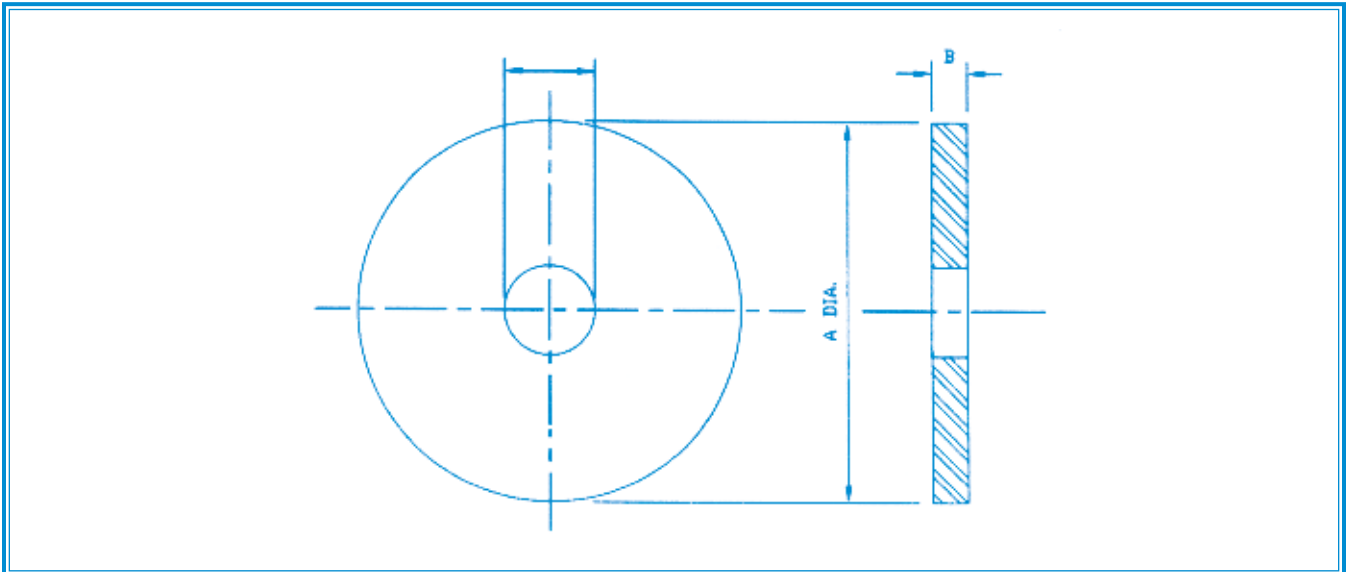




PRODUCT SPECIFICATIONS

Universal Orifice Plates - Style 500

Dimensions Are In Inches - Weights Are In Pounds



LINE SIZE	PLATE O.D. A	PLATE O.D. B	BLANK WT.	LINE SIZE	PLATE O.D. A	PLATE O.D. B	BLANK WT.
3/4	1.125	1/8	.06	14	14	1/4	11.91
1	1.3125	1/8	.06	16	16	3/8	15.41
1 1/2	2	1/8	.11	18	18	3/8	18.45
2	2.4375	1/8	.17	20	20	3/8	22.78
2 1/2	2.8125	1/8	.25	24	24	3/8	32.80
3	3.4375	1/8	.34	26	26	3/8	62.00
4	4.4062	1/8	.55	30	30	1/2	112.00
6	6.4375	1/8	1.18	34	34	1/2	134.00
8	8.4375	1/8	2.03	36	36	1/2	156.00
10	10.6875	1/4	6.41	42	42	3/4	338.00
12	12.5938	1/4	9.61				

Universal Orifice Plates are manufactured to the same recommendations and standards as the paddle-type orifice plates. They are completely interchangeable in all orifice fittings and RTJ Plate Holders.